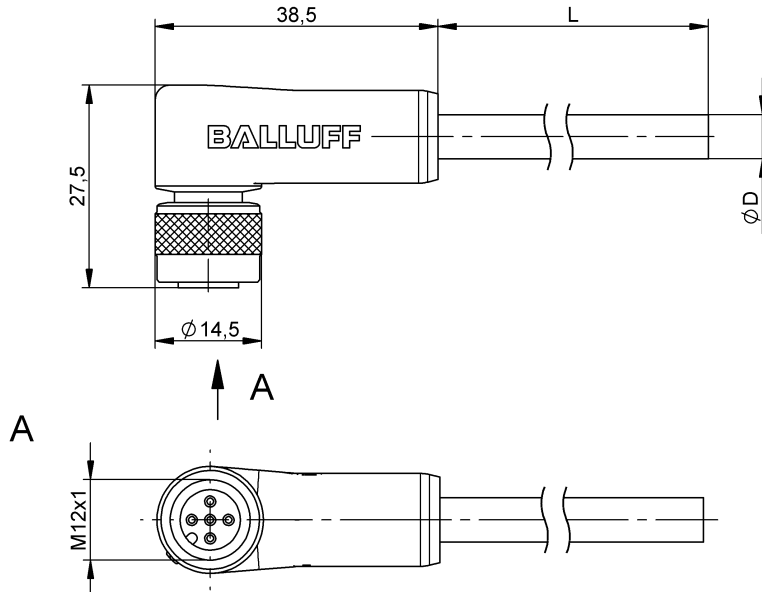


Single-Ended Cordsets
BCC M425-0000-1A-016-VS8534-200
Order Code: BCC0MA3

BALLUFF



Basic features

| | |
|---------------------|---------------------|
| Approval/Conformity | CE cULus WEEE |
|---------------------|---------------------|

Electrical connection

| | |
|-------------------------|--------------------------------------|
| Cable | PVC Shielded gray, 20 m |
| Cable diameter D | 5.80 mm ±0.15 mm |
| Conductor cross-section | 0.34 mm ² |
| Connection | M12x1-Female, angled, 5-pin, A-coded |
| Connector configuration | right-angle |
| Number of conductors | 5 |
| Number of pins | 5 |
| System | Molded |

Electrical data

| | |
|----------------------------------|-----------------|
| Operating voltage U _b | 60 VDC / 60 VAC |
| Rated current (40 °C) | 4.0 A |

Remarks

Cable construction acc. to UL-AWM Style 2517
 Enclosure rating per IEC 60529 or 20653, only in screwed state with the associated mating piece.

Environmental conditions

| | |
|-------------------------------------|-------------------|
| Cable temperature, fixed routing | -40...105 °C |
| Cable temperature, flexible routing | -5...150 °C |
| IP rating | IP67, IP68, IP69K |

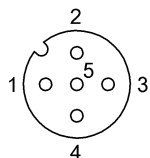
Material

| | |
|-----------------------------|--------------------------|
| Cable jacket material, note | Shielded |
| Cable jacket, material | PVC |
| Cable shield | Copper braid, tin-plated |
| Material contact carrier | PUR |
| Material contacts | Bronze |
| Material cover nut | Nickel-plated brass |
| Material grip | PUR |

Mechanical data

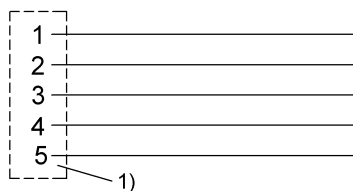
| | |
|---------------------------|---------|
| Cable jacket, color | gray |
| Cable length L | 20.00 m |
| Tightening torque pigtail | 0.6 Nm |

Connector Drawings



PIN 1: brown
PIN 2: white
PIN 3: blue
PIN 4: black
PIN 5: gray

Wiring Diagrams



1) Shield on cover nut